

**Model ACR20028DT
(Double Threshold)**

Length: 36" (914mm)
Width: 36" (914mm)
Overall Height: 4 1/8" (105 mm)
Threshold Height: 2.5" (64 mm)

Shipping Weight: 44 lbs. (20Kg)

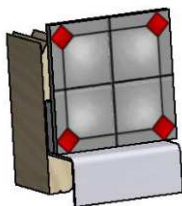
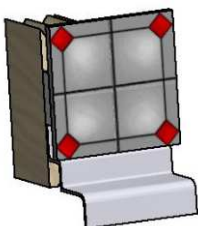
Materials: Manufactured from a one-piece acrylic sheet, reinforced with fibreglass.

Model ACR20028DT

Hytec manufactures accessible acrylic shower receptors in a variety of sizes. They may be recessed into the floor or have a ramp installed to assist in entering or exiting the shower. Raised tiling flanges allow for professional installation and finishing.

Double Flange - Standard

Single Flange (SF) - Option



Standard Features:

- Easy to clean high gloss surface
- Chip and mar resistant
- Moulded-in floor pattern
- Double flange
- Low Threshold

Colours:

- Standard: White, Almond (Bone) or Biscuit
- Optional: Kohler Colours

Options:

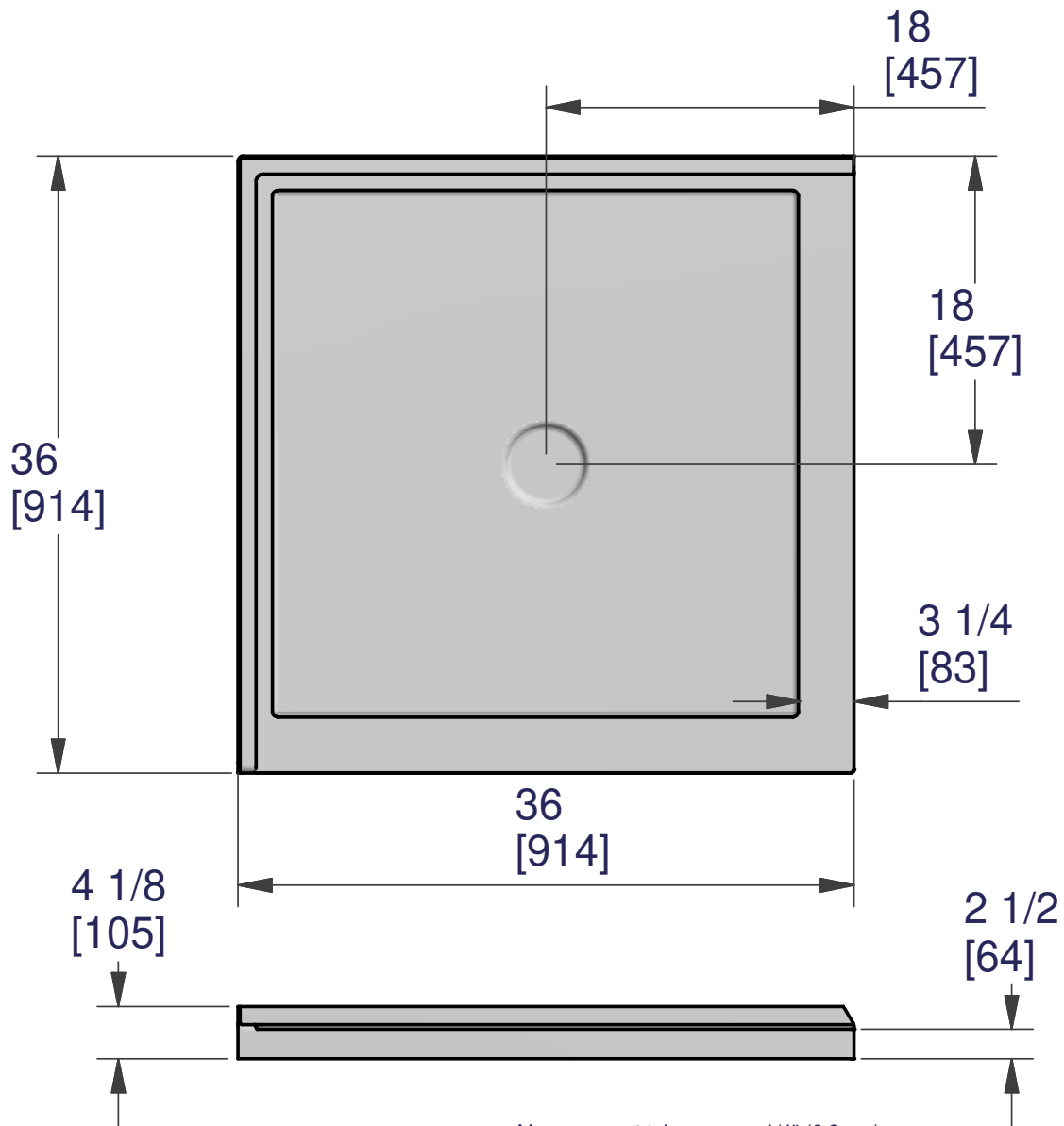
- Single Flange (SF)

All products manufactured by Hytec are covered by a comprehensive five-year limited warranty from the date of sale to the original owner. See the Hytec Bathing Fixtures List Price Book for further details.

Hytec Plumbing Products

(Division of Kohler Canada Co.)
4150 Spallumcheen Dr, Armstrong BC V0E 1B6
Ph. (800) 871-8311 (250) 546-3196 Fax (250) 546-3170

ACRYLIC



Measurement tolerances $\pm 1/4"$ (6.3mm)

All bathing fixtures comply with the applicable Canadian Standards.

EPA TSCA Title VI Compliant Product.

For installation instructions, please refer to HYTEC.CA

This sheet approximately describes products and equipment manufactured or supplied by Hytec Plumbing Products. Because of ongoing efforts to improve both design and quality, products and equipment actually furnished may differ without prior notice.

Hytec Plumbing Products

(Division of Kohler Canada Co.)
 4150 Spallumcheen Dr, Armstrong BC V0E 1B6
 Ph. (800) 871-8311 (250) 546-3196 Fax (250)
 546-3170

HYTEC
 A KOHLER COMPANY