

AVC6060



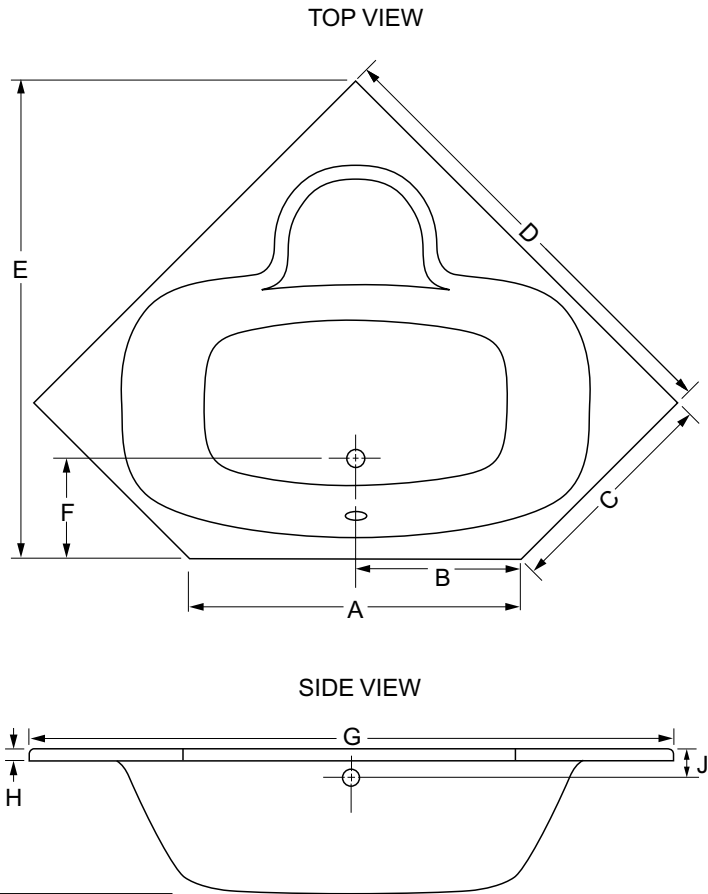
MODEL	A	B	C	D	E	F	G	H	I	J
AVC6060	43	21 $\frac{3}{4}$	28 $\frac{3}{4}$	59	62	12	83	1 $\frac{3}{4}$	20	4
	1092 mm	552	730	1500	1575	305	2110	45	508	102

Specifications

Venco acrylic bathware is manufactured from .125 gauge solid acrylic sheet, reinforced with heavy-duty fiberglass to provide a sanitary, unbroken, smooth surface. Reinforcing and contouring gives added strength. Venco bathware is warranted against factory defects for five years.

All product measurements are to the outside of flange. Measurements plus (+) or minus (-) 1/4".

All Venco Products are Canadian Standards Association certified



7584 Vantage Place, Delta, BC V4G 1A5
 Phone (604) 940-4960 • Fax (604) 940-9733
 email: venco@telus.net
 www.venco.ca

Water Capacity (Imperial Gallons)

MODEL	Minimum	Maximum
AVC6060	32	62