

Mercer® Deck-Mount Bath Faucet

FEATURES

- Solid brass construction
- Ceramic disk valve cartridge
- Accommodates 8" -16" spread
- Metal pop-up waste assembly

COLORS/FINISHES

- #CP Polished Chrome
- #BN Brushed Nickel
- #PN Polished Nickel



CODES/STANDARDS

- Meets or exceeds ASME A112.18.1/CSA B125.1
- Certifications: IAPMO(cUPC), State of Massachusetts, City of Los Angeles, and others
- Code Compliance: UPC, IPC, NSPC, NPC Canada, and others



PRODUCT SPECIFICATION

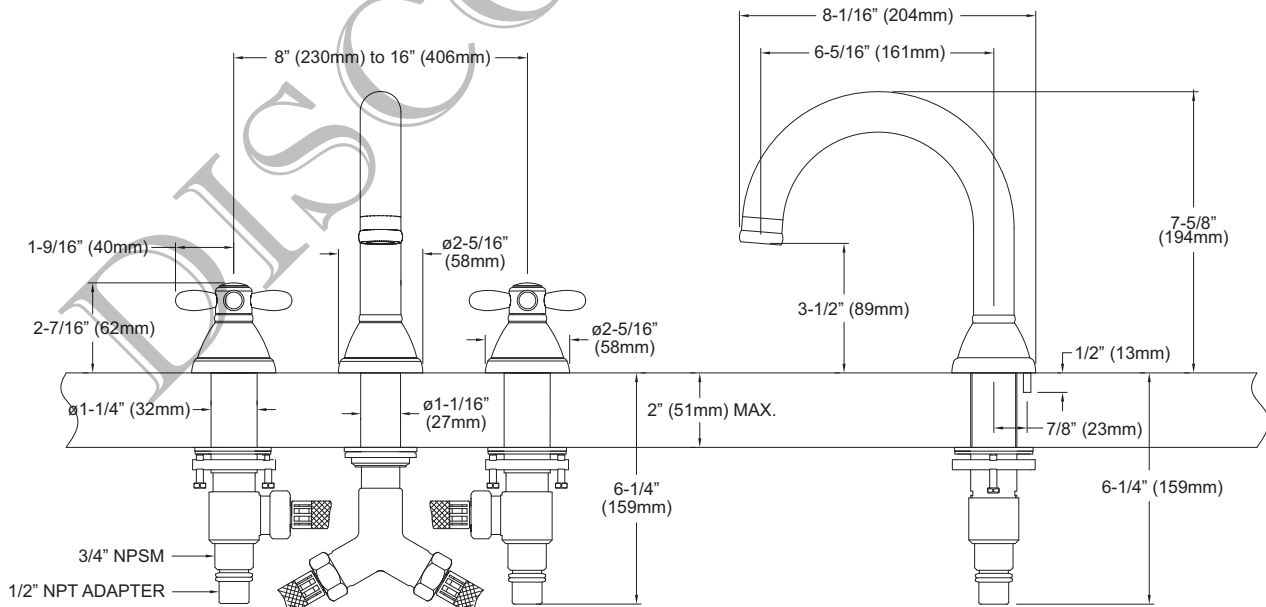
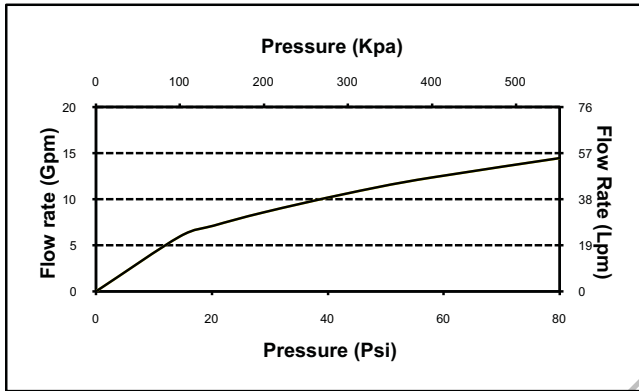
Two-handle deck-mounted tub filler shall feature durable brass construction and thermostatic control. Shall also feature washerless ceramic disk valve cartridges. Fitting shall be TOTO Model TB756DD_____.

TB756DD

Mercer® Deck-Mount Bath Faucet

SPECIFICATIONS

- Warranty: Lifetime Limited Warranty (Residential Use)
One Year (Commercial Use)
- Material: Brass
- Shipping Weight: 9.1 lbs.
- Shipping Dimensions: 15" L x 13" W x 2-3/4" H



TOTO

These dimensions and specifications are subject to change without notice