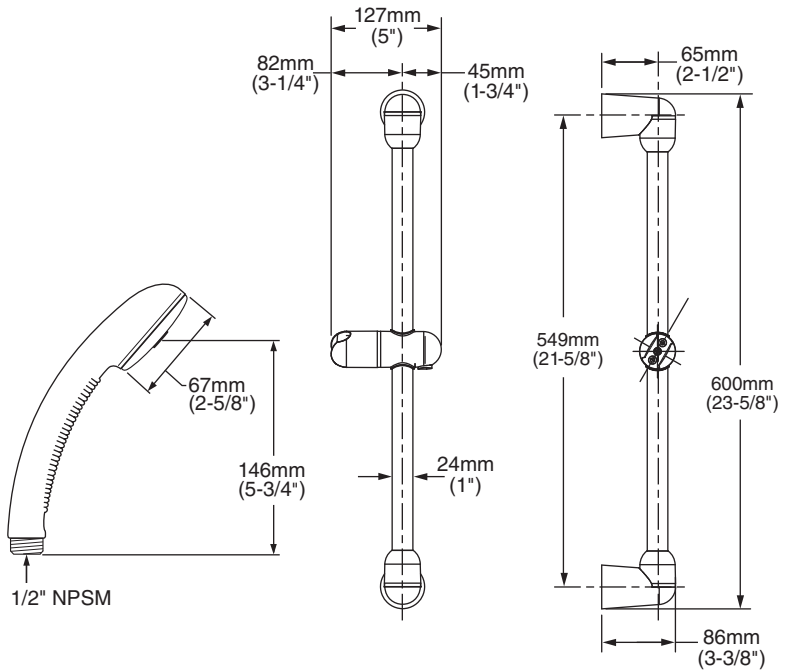
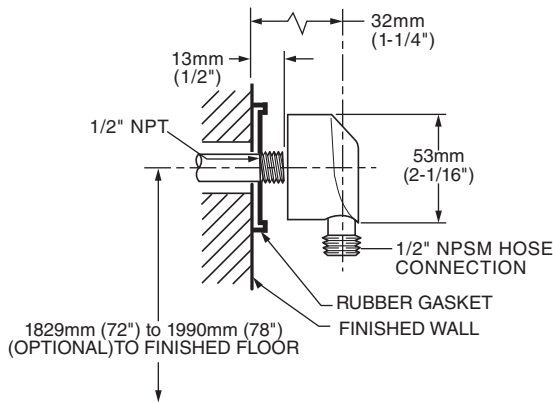


MODEL NUMBER:

☐ **1662.602 Shower System Kit**

Includes:

- Fixed Hand Shower 1660.505
- Hose 8888.035
- Wall Supply 8888.037
- Standard Slide Bar 1660.225



GENERAL DESCRIPTION:

Complete personal shower system includes: a wall supply with 1/2" NPT female inlet, 1/2" NPSM male outlet; a 59" (1500mm) shower hose; a "Fixed" hand shower; and a 25" Slide Bar. Fixed hand shower with 2.5 gpm/9.5L/min. flow restrictor. Slide bar features an adjustable shower holder which can be set at any height or position along the bar and angle up to 45°. Kit includes double check valves to prevent cross flow of hot and cold water.

PRODUCT FEATURES:

HAND SHOWER:

Lightweight, Ergonomic Design: For a sure grip even with wet, soapy hands.

SLIDE BAR:

Simple Height Adjustment: Allows positioning of the personal shower anywhere along the bar.

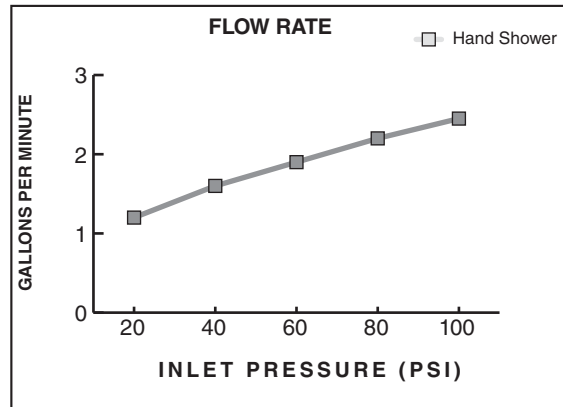
SUGGESTED SPECIFICATION:

Shower system shall feature a wall supply with 1/2" NPT female inlets, 1/2" NPSM male outlet, 59" hose, hand shower and a 25" Standard Slide Bar. Kit shall include double check valves to prevent cross flow of hot and cold water. Fitting shall be American Standard Model # 1662.602. ____.

CODES AND STANDARDS

Install as required to comply with local code requirements.

ASME A112.18.1
CSA 125



Product Number	Description	Finish
		Polished Chrome
1662.602	Shower System Kit. Contains "Fixed" hand shower, hose, wall supply and slide bar.	002